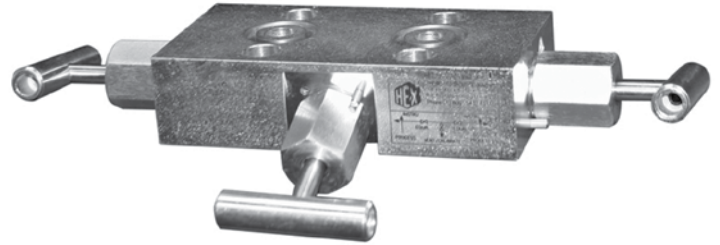


Most upstream gas and oil producers measure volumetric or mass flow from individual wellheads, and downstream at well field collection points. Since most of these meter runs are constructed at grade level, or on grade level mounted skids, the primary shutoff valves are typically provided on the orifice taps.

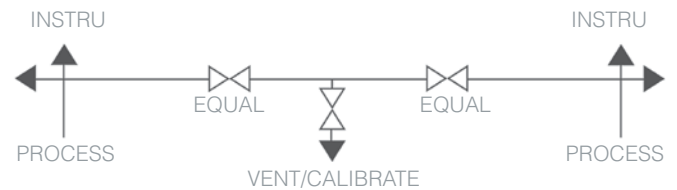
The HE30 three valve equalizing manifold was built for these applications. It is a compact and cost effective alternative to the more costly five valve manifold. Delrin or Teflon soft seat valves insure redundant equalizer isolation, eliminating the possibility of costly leaks there, or through the vent/calibrate valve. That feature coupled with Hex's innovative non-rotating soft seat stem tip insure accurate resource accounting and long valve life.



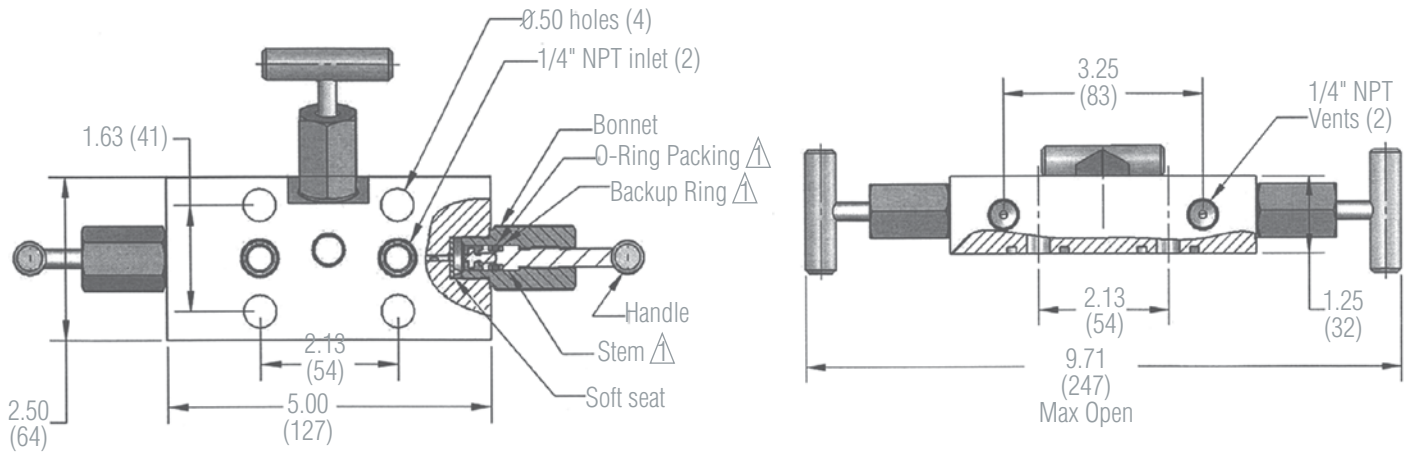
## Features and Benefits

- Buna-N or Viton O-ring sandwiched between back-up rings insures a tight stem seal with easy-to-turn operation
- Delrin or Teflon seats insure tight shutoff
- Offset vent valve for ergonomic handle operation
- Innovating non-rotating tip (NRT) stem insures long seat life because it stops rotating when it contacts the seat. This prevents seat galling even if foreign material is present

## Flow Schematic



### Dimensions



$\triangle$  Recommended spare parts

### How to Order

| Model Number | Seat/ Body Configuration   | Body Material    | Inlet Size | Inlet Type | Outlet Size | Outlet Type | Stem/Tip          | Seat Material | Packing    |
|--------------|----------------------------|------------------|------------|------------|-------------|-------------|-------------------|---------------|------------|
| HE30         | G = O-Ring Pkg & Soft Seat | S = CS<br>U = SS | 1 = 1/4"   | 3 = FNPT   | 9 = Flanged | 9 = Flanged | 4 = 316/316SS NRT | C = Delrin    | 5 = Buna-N |

### Sample Ordering Schematic

|      |   |   |   |   |   |   |   |   |   |
|------|---|---|---|---|---|---|---|---|---|
| HE30 | G | S | 1 | 3 | 9 | 9 | 4 | C | 5 |
|------|---|---|---|---|---|---|---|---|---|

Teflon packing available with hard seat body configuration.  
 Buna-N and Viton O-Ring available with O-Ring body configuration.

Soft Seat: 1500 psi @ 100°F & 500 psi @ 200°F (103 bar @ 37,8 °C & 34,5 bar @ 93 °C)  
 Hard Seat: 3000 psi @ 100°F & 1500 psi @ 200°F (206 bar @ 37,8 °C & 103 bar @ 93 °C)