



The HN29 needle valve is targeted for the gas sampling, OEM, and reseller market.

All stainless steel valves are rated to 6000 psig @ 100°F with hard seats and 3000 psig @ 100°F with soft seats, Teflon packing and 1" diameter round knurled handles. Valves are available in 1/8" and 1/4" sizes.

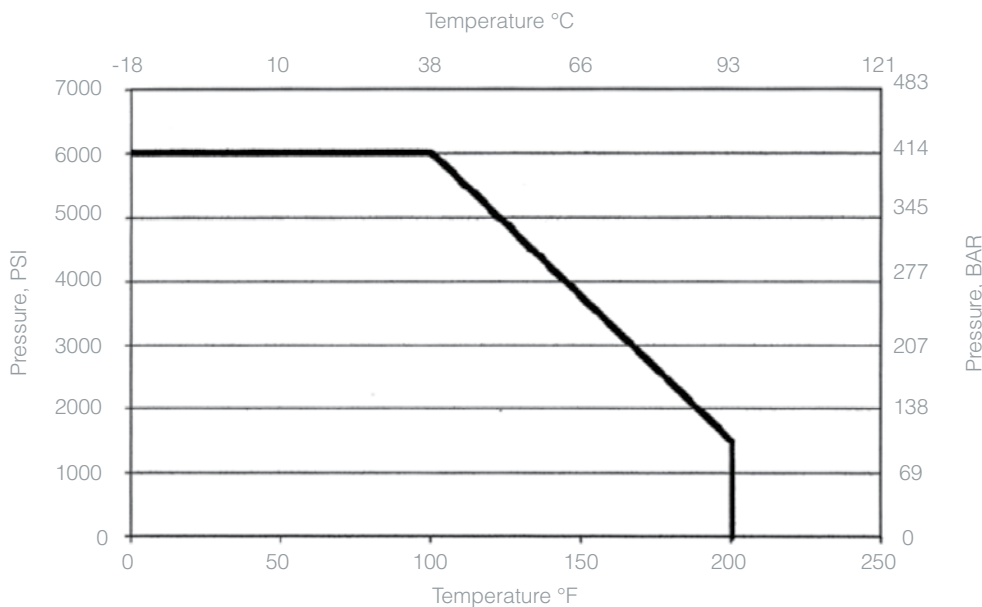
All carbon steel valves are rated to 6000 psig @ 100°F with hard seats and 3000 psig @ 100°F with soft seats (Delrin), Teflon packing and either "T" handles or 1" diameter round knurled handles. Valves are available in 1/4" and 1/2" sizes.

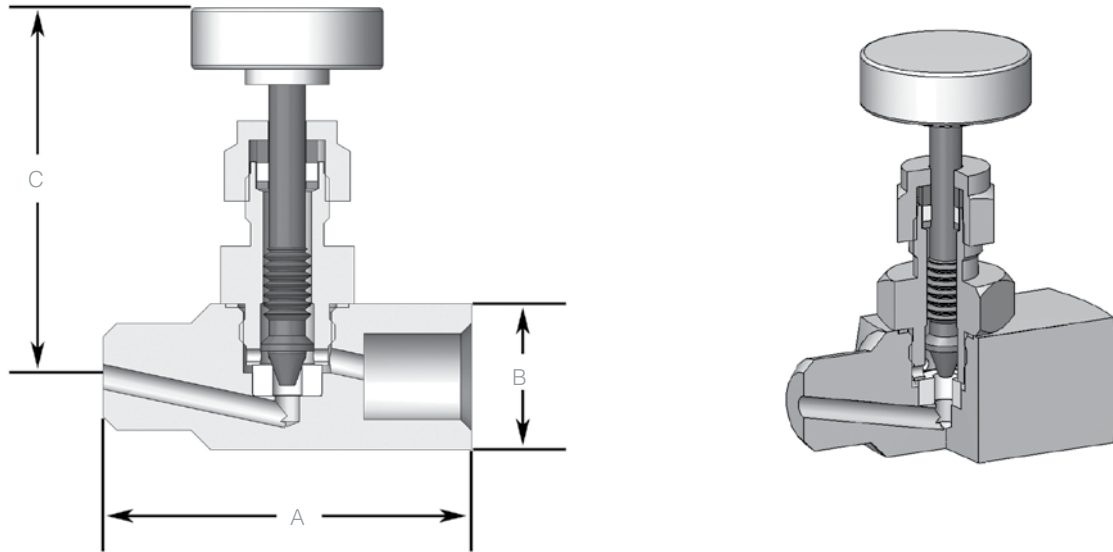
Features and Benefits

- Non-Rotating Tip Provides tight repeatable shutoff without galling or cross scoring that occurs on ball type stems.
- Saves space and reduces costs due to small valve body design.



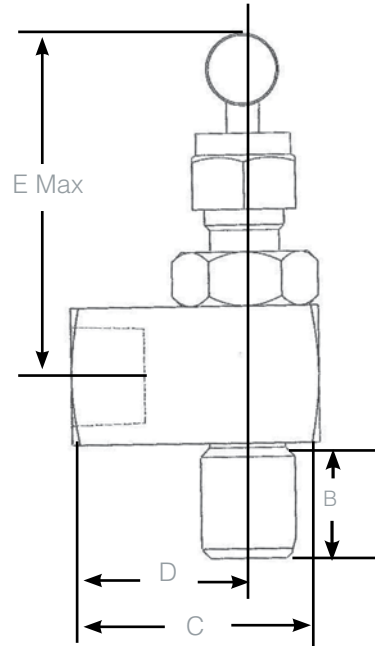
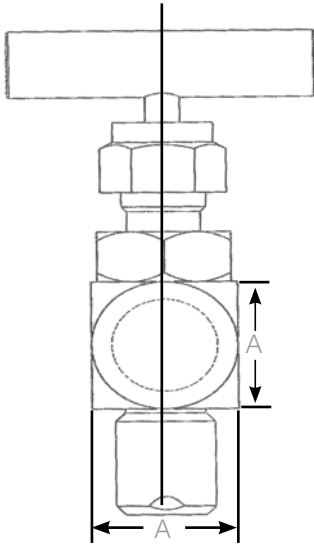
Pressure and Temperature Chart



Dimensions


Dimensions					
Connection	Dimensions, inches (mm)			Weight lbs (kgs)	Orifice inches (mm)
	A	B	C		
1/4" FNPT x FNPT	3.15 (80)	1.10 (28)	3.43 (87)	1.0 (0,5)	0.13 (3,3)
1/4" MNPT x MNPT	3.15 (80)	1.10 (28)	3.43 (87)	1.0 (0,5)	0.13 (3,3)
1/4" MNPT x FNPT	3.15 (80)	1.10 (28)	3.43 (87)	1.0 (0,5)	0.13 (3,3)
1/2" FNPT x FNPT	3.50 (89)	1.26 (32)	3.50 (89)	1.5 (0,7)	0.20 (5,0)
1/2" MNPT x MNPT	3.50 (89)	1.26 (32)	3.50 (89)	1.5 (0,7)	0.20 (5,0)
1/2" MNPT x FNPT	3.50 (89)	1.26 (32)	3.50 (89)	1.5 (0,7)	0.20 (5,0)
3/4" FNPT x FNPT	3.50 (89)	1.26 (32)	3.50 (89)	2 (0,9)	0.20 (5,0)
3/4" MNPT x MNPT	3.50 (89)	1.26 (32)	3.50 (89)	2 (0,9)	0.20 (5,0)
3/4" MNPT x FNPT	3.50 (89)	1.26 (32)	3.50 (89)	2 (0,9)	0.20 (5,0)
1" FNPT x FNPT	1.77 (45)	1.77 (45)	4.25 (108)	3 (1,4)	0.20 (5,0)
1" MNPT x MNPT	1.77 (45)	1.77 (45)	4.25 (108)	3 (1,4)	0.20 (5,0)
1" MNPT x FNPT	1.77 (45)	1.77 (45)	4.25 (108)	3 (1,4)	0.20 (5,0)

Cv Values				
Model	Size	Orifice	measured Orifice	Cv
HN291	1/4	0.14	0.12	0.19
HN291	1/2	0.20	0.20	0.47
HN292	1/4	0.14	0.06	0.15
HN292	1/2	0.20	0.06	0.15

Dimensions


Dimensions					
Connection	Dimensions, inches (mm)				
	A	B	C	D	E
1/8" x 1/8"	1.10 (28)	0.39 (10)	1.73 (44)	1.14 (29)	3.43 (87)
1/4" x 1/4"	1.10 (28)	0.55 (14)	1.73 (44)	1.14 (29)	3.43 (87)
3/8" x 3/8"	1.10 (28)	0.55 (14)	1.73 (44)	1.14 (29)	3.43 (87)
1/2" x 1/2"	1.26 (32)	0.75 (19)	1.97 (50)	1.37 (35)	3.50 (89)
3/4" x 3/4"	1.57 (40)	0.75 (19)	1.97 (50)	1.37 (35)	3.66 (93)
1" x 1"	1.77 (45)	0.94 (24)	2.83 (72)	1.95 (49.50)	4.25 (108)

Cv Values					
Model	Size	Orifice	measured Orifice	Cv	
HN291	1/4	0.14	0.12	0.19	
HN291	1/2	0.20	0.20	0.47	
HN292	1/4	0.14	0.06	0.15	
HN292	1/2	0.20	0.06	0.15	

How to Order		
Model Number	Connection, Type, Size, Body, Material, Set	
HN29	2F	1/4", FNPT, Straight, Stainless, Soft Seat
	2F-R	1/4" FNPT, Straight, Stainless, Soft Seat, Round Handle
	1S-2F	1/4", FNPT, Straight, Carbon, Hard Seat
	1S-2F-R	1/4", FNPT, Straight, Carbon, Hard Seat, Round Handle
	2FA	1/4", FNPT, Angle, Stainless, Soft Seat
	2M	1/4", MNPT, Straight, Stainless, Soft Seat
	22MF	1/4", MNPTxFNPT, Straight, Stainless, Soft Seat
	22MF-R	1/4", MNPTxFNPT, Straight, Stainless, Soft Seat, Round Handle
	22AMF	1/4", MNPTxFNPT, Angle, Stainless, Soft Seat
	1S-22MF	1/4" MNPTxFNPT, Straight, Carbon, Hard Seat
	1S-22MF-R	1/4", MNPTxFNPT, Straight, Carbon, Hard Seat, Round Handle
	1S-4F	1/2", FNPT, Straight, Carbon, Hard Seat
	1S-44MF	1/2", MNPTxFNPT, Straight, Carbon, Hard Seat
	2S-2F	1/4", FNPT, Straight, Carbon, Soft Seat
	2S-2F-R	1/4", FNPT, Straight, Carbon, Soft Seat, Round Handle
	2S-22MF	1/4", MNPTxFNPT, Straight, Carbon, Soft Seat
	2S-22MF-R	1/4", MNPTxFNPT, Straight, Carbon, Soft Seat, Round Handle
	2S-4F	1/2", FNPT, Straight, Carbon, Soft Seat

Minimum quantities required:
 1/4" - 10 per box
 1/2" - 5 per box

Flow Schematic

