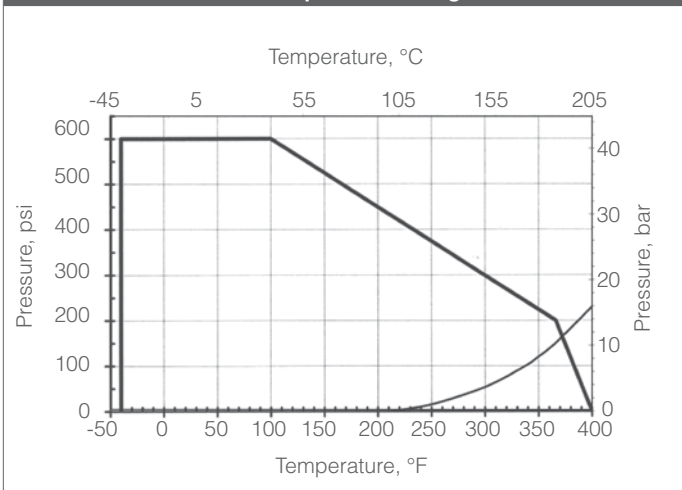

Features

- Cast brass body
- Swing-out design for easy in-line maintenance
- Blow-out proof stem
- Reinforced PTFE seats
- PTFE stem packing
- Stainless steel ball and stem
- 100% tested

Series 4600F Pressure-Temperature Ratings

**4666FTTS Series Full Port Valve
 4633FTTS Series Full Port Valve**

Quick Spec	
Product Scope	
Size Range	1/4" – 2-1/2", Full Port
Body Type	3-pc, Swing-Out, w/FNPT Ends
Pressure Rating	600 psi WOG (10,3 bar)
Temperature Range / WSP	-40°F thru 366°F / 150 psi Steam -40°C thru 186°C / 10,3 bar Steam
Body	Brass, Cast
Trim	Brass, Chrome Plated or optional SS
Seats	PTFE
Stem Packing	PTFE
Operator	Manual Lever, Non-Locking
Design Standards	
Threaded End Design	ASME B1.20.1
Testing Standards	
Conforms to	MSS-SP-110

Materials of Construction

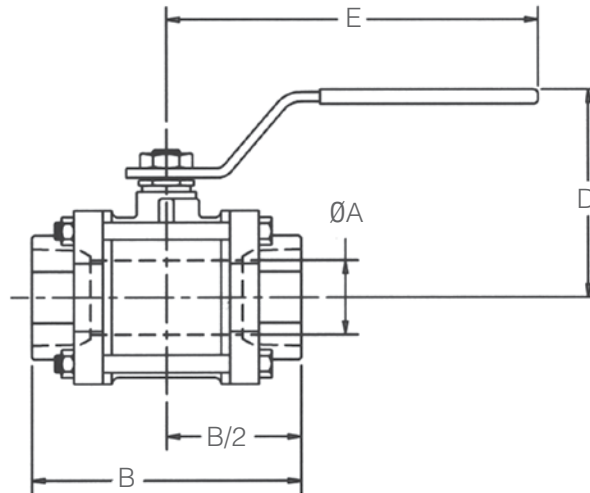
Part	Brass Body & Trim	Brass Body / 316 SS Trim
Body	Brass ASTM B584 C84400	
End Cap	Brass ASTM B584 C84400	
Ball (4666)	Brass, ASTM B124 C377000	B16 C36000
Ball (4633)	SS, ASTM A276 Type 316	B99 C65100
Stem (4666)	Silicon Br ASTM B371 C64930	B99 C65100
Stem (4633)	SS, ASTM A276 Type 316	
Seal, Body	FKM	
Seat	PTFE	
Thrust Washer, Stem	RPTFE	
Packing, Stem	PTFE	
Gland Nut, Body	Brass, ASTM B16 C36000	
Handle	Steel, Zinc Plated	
Nut, Handle	Steel, Zinc Plated	
Bolts, Body	Steel, ASTM A449 Gr 5, Plated	
Nuts, Body	Steel, ASTM A449 Gr, 5 Plated	

Technical Specifications

Valve Size Inches	Operating Torque, in-lb	Flow Coefficient, Cv
1/4"	65	5.9
3/8"	65	11.4
1/2"	65	18.7
3/4"	80	34
1"	230	57
1-1/4"	275	103
1-1/2"	300	143
2"	410	245
2-1/2"	540	310

Technical Specifications, metric

Valve Size NPS	Operating Torque, N.m	Flow Coefficient, Kv
DN8	7,3	5,1
DN12	7,3	9,8
DN15	7,3	16,2
DN20	9,0	29
DN25	26,0	49
DN32	31,1	89
DN40	33,9	123
DN50	46	211
DN65	61	267



MD04041

Dimensions, Inches					
Valve Size	4600F Series				
Inches	ØA Port	B Length	D	E	Wt (lbs)
1/4"	0.38	2.50	1.7	3.9	1.03
3/8"	0.38	2.50	1.7	3.9	0.98
1/2"	0.50	2.50	1.7	3.9	1.03
3/4"	0.75	3.00	2.0	4.7	1.70
1"	1.00	3.69	2.3	4.7	2.82
1-1/4"	1.25	4.09	2.8	6.7	3.96
1-1/2"	1.50	4.56	3.0	6.7	5.68
2"	2.00	6.16	3.6	6.7	11.4
2-1/2"	2.50	6.84	4.1	8.0	21.1

Dimensions, mm					
Valve Size	4600F Series				
NPS	ØA Port	B Length	D	E	Wt (kgs)
DN8	9,7	63,5	43	99	0,47
DN10	9,7	63,5	43	99	0,44
DN15	12,7	63,5	43	99	0,47
DN20	19,1	76,2	51	118	0,77
DN25	25,4	93,7	57	118	1,28
DN32	31,8	103,9	70	170	1,80
DN40	38,1	115,8	75	170	2,58
DN50	50,8	156,5	92	170	5,17
DN65	63,5	173,7	104	203	9,60

How to Order							
Valve Series	Ball	Stem	Port	Packing	Seats	End Connections	Valve Size
46	3 = Stainless Steel 6 = Brass	3 = 316 Stainless Steel 6 = Brass	F = Full Port	T = PTFE	T = PTFE	S = Threaded	025 038 050 075 100 125 150 200 250

Sample Ordering Schematic

46	3	3	F	T	T	S	050
----	---	---	---	---	---	---	-----

Marwin Valve

A Division of Richards Industries, 3170 Wasson Road, Cincinnati, OH 45209

toll free. 800.543.7311, local. 513.533.5600, fax. 513.871.0105

www.marwinvalve.com